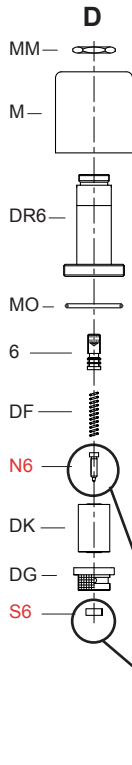




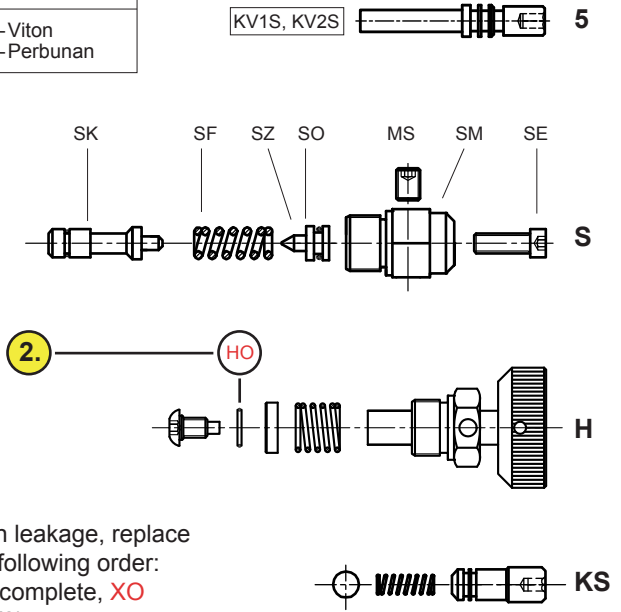
Solenoid Valves



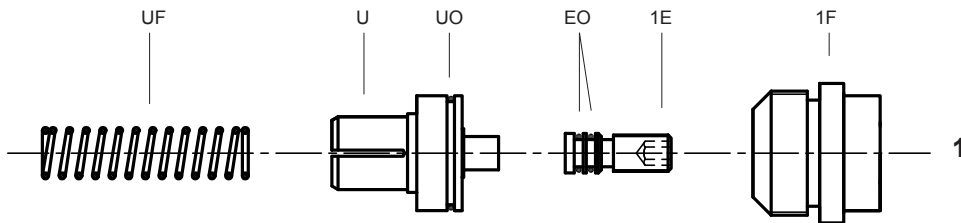
O-Ring-Size
EO 3,5 x 1,5 - P
UO 17 x 1 - V
YO 10 x 1 - V
XO 5,28 x 1,78 - P
HO 5,28 x 1,78 - V
VO 5,28 x 1,78 - V

O-Ring: V=FKM-Viton  
P=NBR-Perbunan

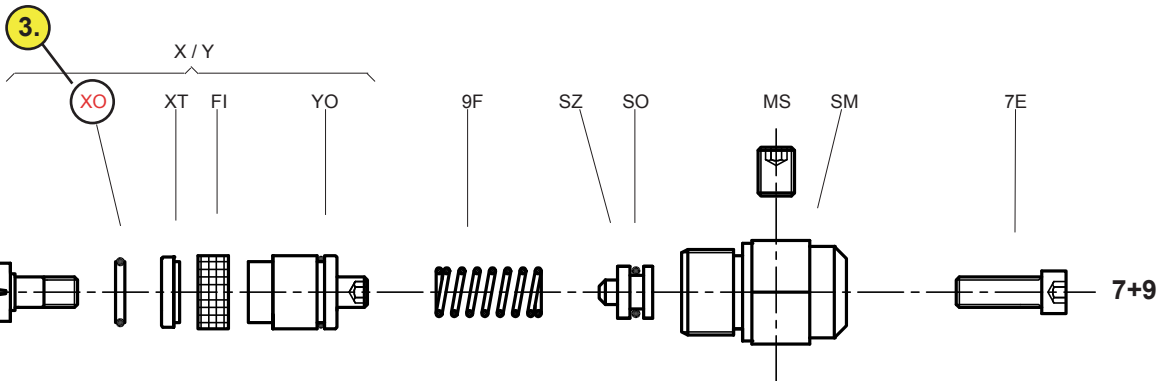
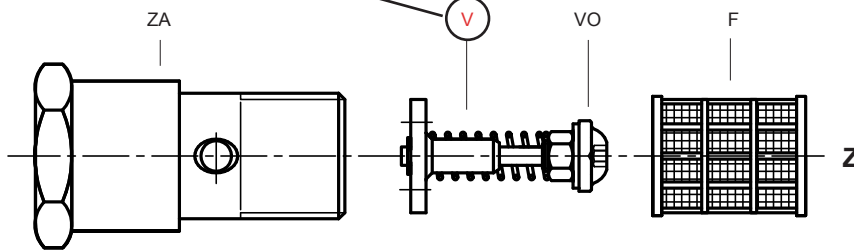
Adjustments



In case of down leakage, replace and test in the following order:  
S6, N6, HO, V complete, XO  
(2x XO with KV2).



4. Flow Valves



apr 14